

EMERGENCY HEAD GATE RELEASE:

HIP LOCK OR HEAD GATE WILL NOT RELEASE

The best time to learn how to release the Head Gate is to recreate the situation when there are no cows in the chute. Follow the instructions below to practice releasing the Head Gate, so you are confident with the steps to take in an emergency situation.

THE HEAD GATE CAN BE RELEASED FROM EITHER SIDE OF THE CHUTE.

REQUIRED TOOLS

- Inflated Spare Tire
- Pry Bar or Heavy-Duty Screwdriver

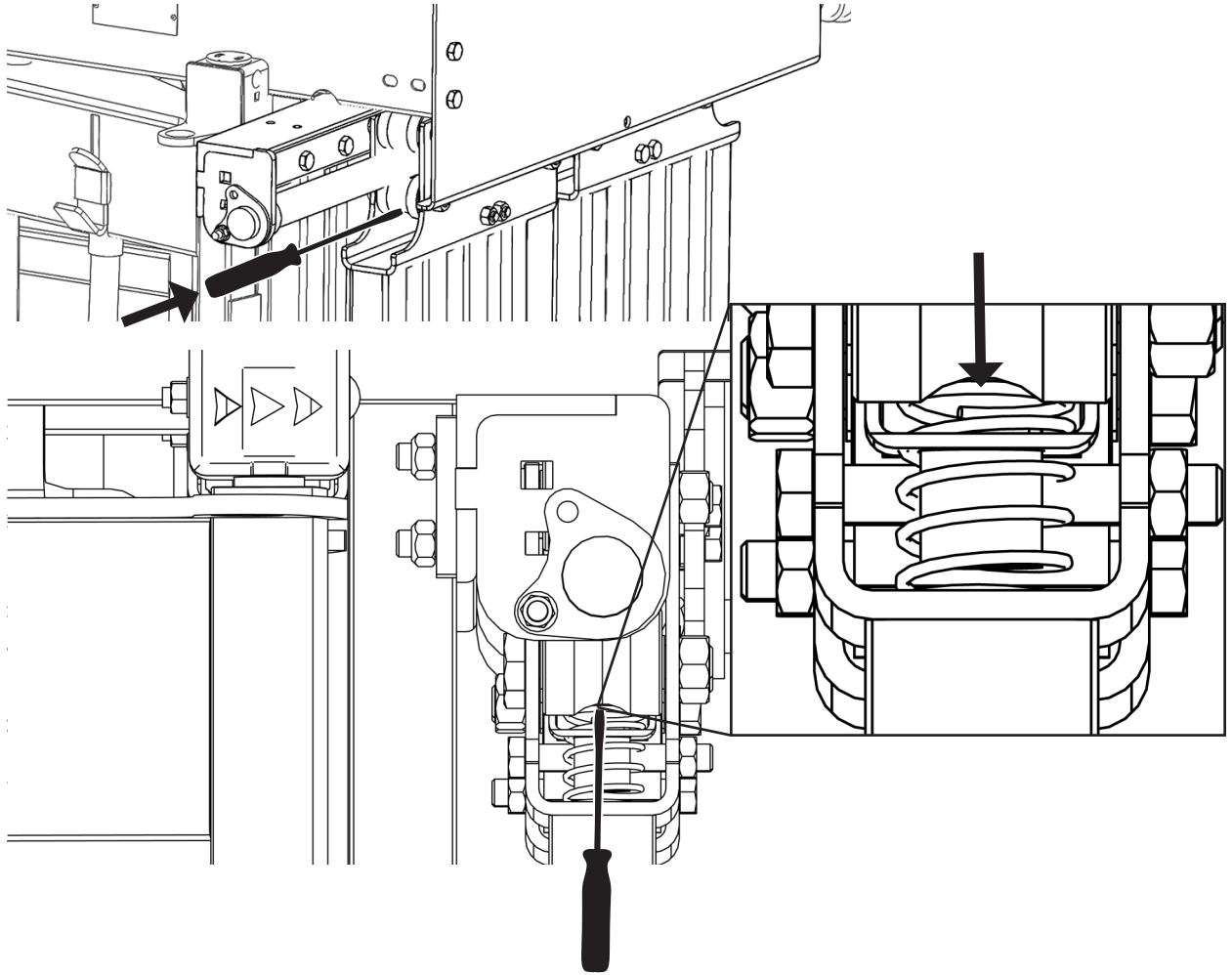
INSTRUCTIONS

1. Place the inflated spare tire and lock it in, simulating a cow locked in the Head Gate.

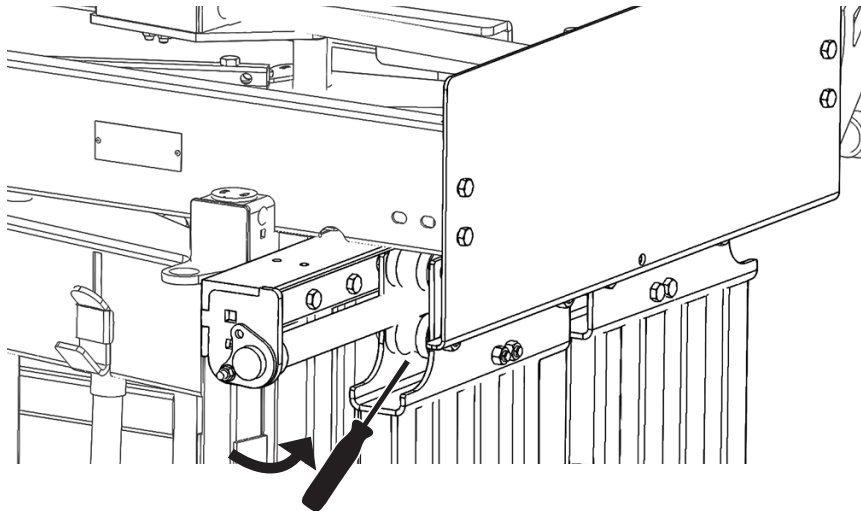


2. Insert the Pry Bar/Screwdriver and insert under the bottom Head Gate roller.

The Pry Bar/Screwdriver will fit on the outer edge of the door, in the small space above the spring in the Head Gate Lock.



3. Tilt the Pry Bar/Screwdriver up and into the Head Gate roller. This will push down the spring, releasing the locking mechanism on the Head Gate doors.



SAFETY PRECAUTIONS

1. Do not stand near the sliding Head Gate handle when the lock is released. Injury may occur when the Head Gate releases.
2. If releasing an animal from the Head Gate, check for injury after the animal is released.

FURTHER ASSISTANCE

If you require further information or technical assistance, contact Arrowquip Client Care at 1-866-383-7827 or cs@arrowquip.com.

1-866-383-7827 | CS@ARROWQUIP.COM



ARROWQUIP