

## EMERGENCY YOKE GATE RELEASE:

# HIP LOCK OR YOKE GATE WILL NOT RELEASE

The best time to learn how to release the yoke gate is to recreate the situation when there are no cows in the crush. Follow the instructions below to practice releasing the yoke gate, so you are confident with the steps to take in an emergency situation.

**THE YOKE GATE CAN BE RELEASED FROM EITHER SIDE OF THE CRUSH.**

### REQUIRED TOOLS

- Inflated Spare Tire
- Pry Bar or Heavy-Duty Screwdriver

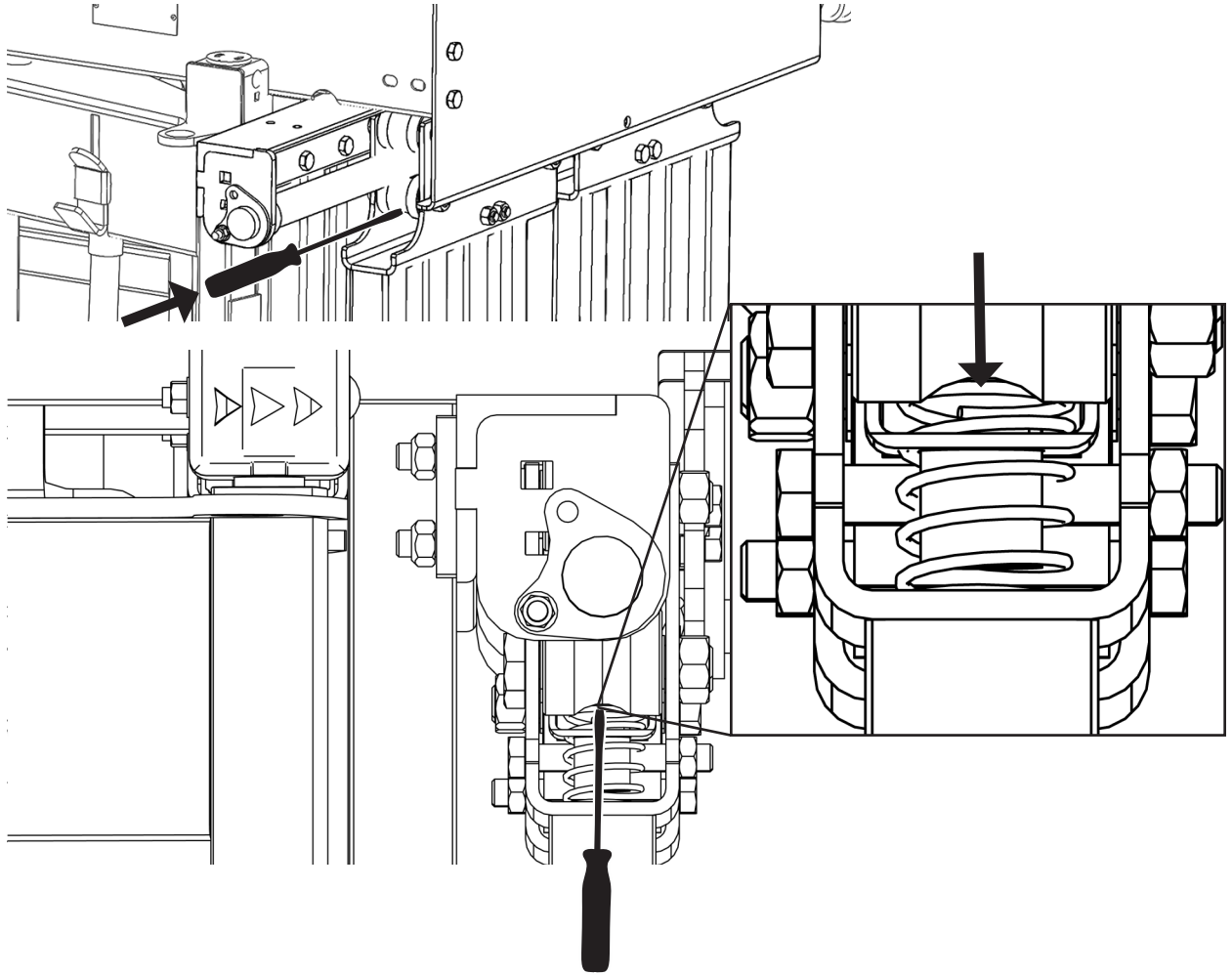
### INSTRUCTIONS

1. Plate the inflated spare tire and lock it in, simulating a cow locked in the yoke gate.

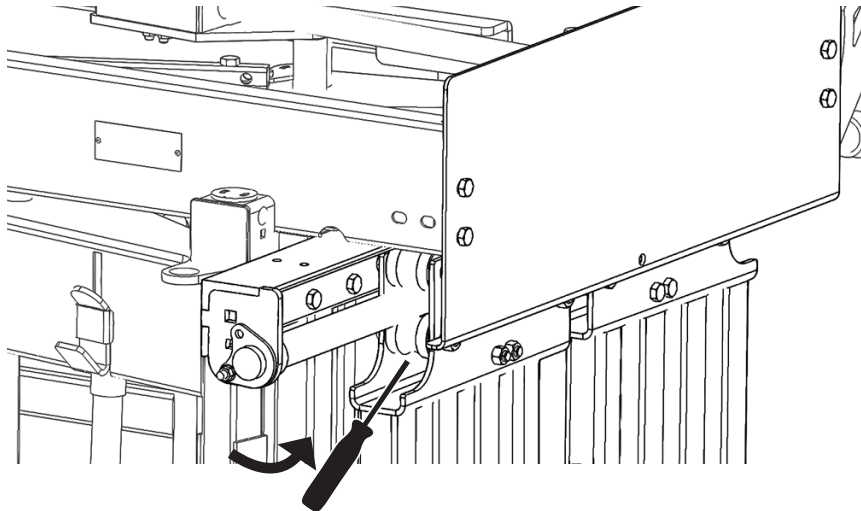


2. Insert the Pry Bar/Screwdriver and insert under the bottom yoke gate roller.

The Pry Bar/Screwdriver will fit on the outer edge of the door, in the small space above the spring in the yoke gate lock.



3. Tilt the Pry Bar/Screwdriver up and into the yoke gate roller. This will push down the spring, releasing the locking mechanism on the yoke gate doors.



#### **SAFETY PRECAUTIONS**

1. Do not stand near the sliding yoke gate handle when the lock is released. Injury may occur when the yoke gate releases.
2. If releasing an animal from the yoke gate, check for injury after the animal is released.

#### **FURTHER ASSISTANCE**

If you require further information or technical assistance, contact Arrowquip Client Care at 1-866-383-7827 or [cs@arrowquip.com](mailto:cs@arrowquip.com).

**1-866-383-7827 | [CS@ARROWQUIP.COM](mailto:CS@ARROWQUIP.COM)**



**ARROWQUIP**