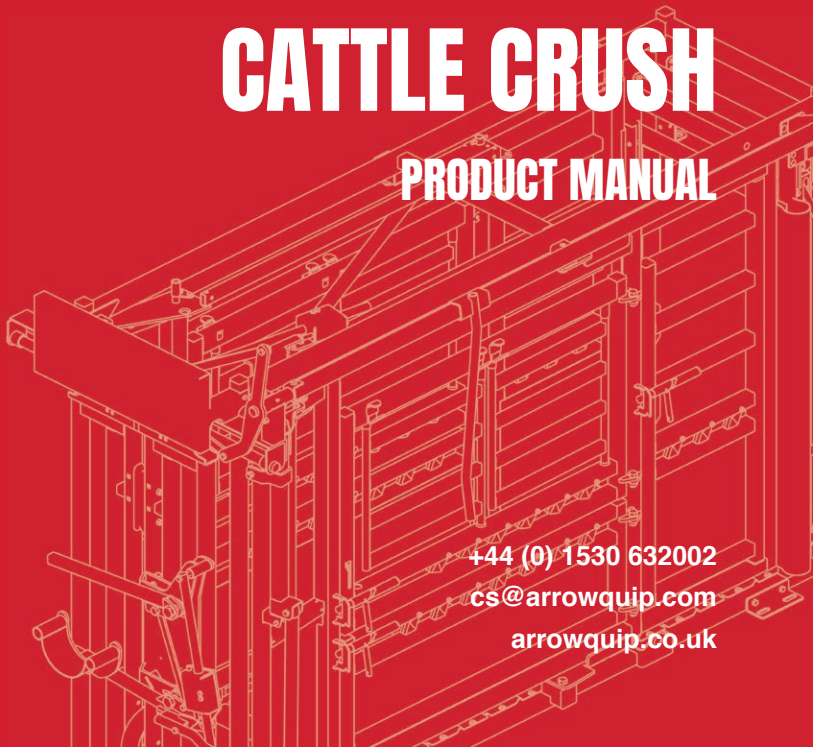




**ARROWQUIP**

# **Q-CATCH 86 SERIES CATTLE CRUSH**

**PRODUCT MANUAL**



+44 (0) 1530 632002

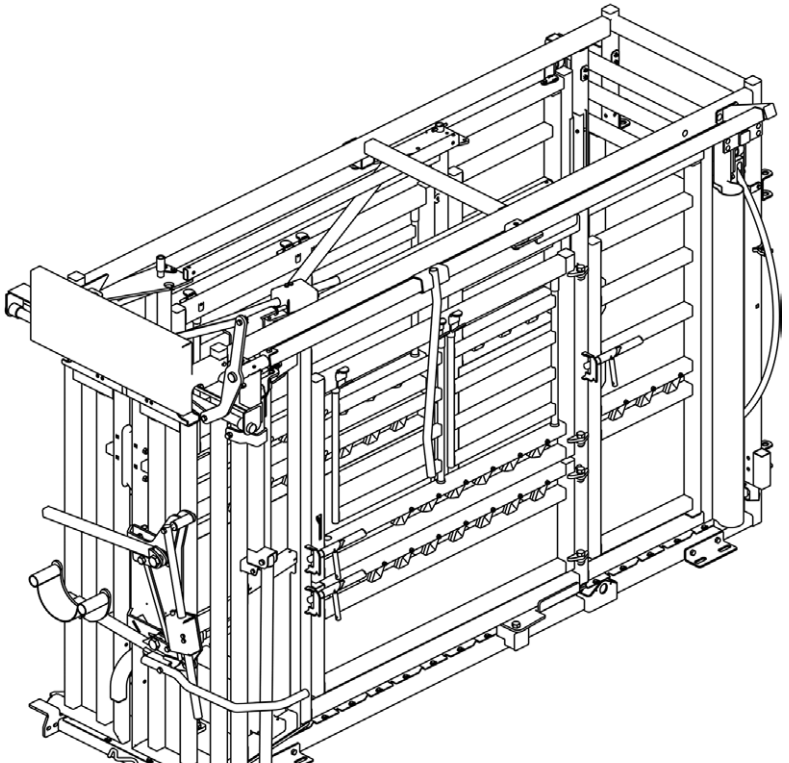
[cs@arrowquip.com](mailto:cs@arrowquip.com)

[arrowquip.co.uk](http://arrowquip.co.uk)



# CONTENTS

Safety Precautions	1
Risk Assessment	2
Q-Catch 86 Series Head Gate Assembly	3
Operating the Head Gate	4
Recommended Maintenance	5
Warranty	5
Troubleshooting Guide	6
Q-Catch 86 Series Options	7



## CONTENTS

Safety Precautions	2
Risk Assessment	3
Q-Catch 86 Series Head Gate Assembly	4
Operating the Head Gate	5
Recommended Maintenance	6
Warranty	6
Troubleshooting Guide	7
Q-Catch 86 Series Options	9

**PLEASE FOLLOW ALL SAFETY INSTRUCTIONS PROVIDED IN THIS MANUAL BEFORE OPERATION. ARROWQUIP DOES NOT ACCEPT RESPONSIBILITY FOR ANY ACCIDENTS OR INJURY WHEN THIS SAFETY MANUAL HAS NOT BEEN READ IN FULL AND KEPT WITH THE PRODUCT AT ALL TIMES. OPERATORS OF THIS PRODUCT TAKE AND ACCEPT RESPONSIBILITY FOR ANY HARM OR INJURY TO THE ANIMAL OR OPERATOR WHEN IT PERTAINS TO HOW THE EQUIPMENT IS USED AND MAINTAINED.**

Please keep this manual for frequent reference and to pass on to new users or owners.

## SAFETY PRECAUTIONS

**PLEASE FOLLOW ALL SAFETY PRECAUTIONS OUTLINED HEREIN. ANY HARM TO THE ANIMAL OR INJURY TO THE OPERATOR WHICH OCCURS DUE TO HOW THE PRODUCT IS OPERATED, OR RESULTING FROM A LACK OF SAFETY PRECAUTIONS ARE THE SOLE RESPONSIBILITY OF THE OPERATOR.**

All farm machinery and equipment is potentially dangerous. Careless use of any Arrowquip livestock equipment may cause injury or damage to persons, cattle,

or property. Arrowquip has taken precautions in the design and manufacturing of this product to ensure that it is safe and user-friendly. Therefore, the user must assume all responsibility and risk associated with the possession and use of the equipment.

### **WARNING: READ BELOW BEFORE OPERATION.**

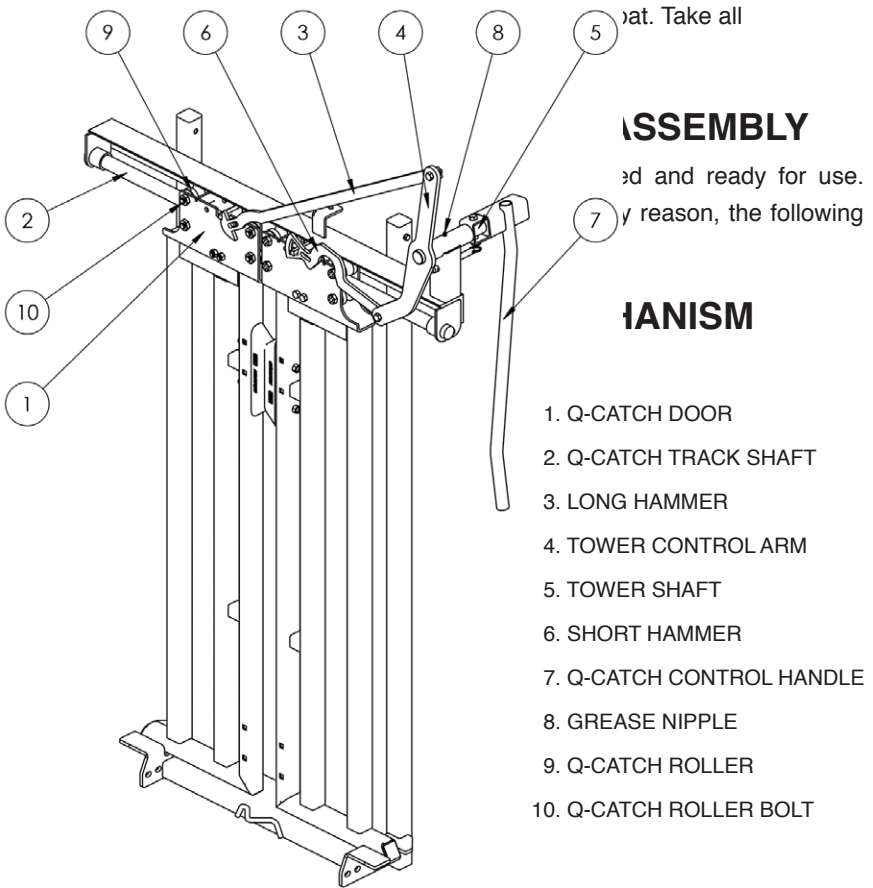
Ensure the operator understands the contents of this manual before using the cattle crush.

1. Do not wear loose-fitted clothing.
2. Ensure the cattle crush is on a firm, level, dry surface that is free of rocks and other trip hazards. A level concrete pad flush with the ground and with the crush bolted to the concrete is strongly recommended.
3. Do not enter the vet cage until the animal is secured in the head gate and the rump bar has been placed so that the cow cannot back up.
4. Do not stand in front of the head gate while operator is moving the cattle through the crush.
5. **DO NOT ALLOW CHILDREN UNDER THE AGE OF 18 NEAR AN OPERATING MACHINE.**
6. Follow safe cattle handling procedures in other areas of the yard so that cattle are more docile in the crush.
7. Do not make any modifications to Arrowquip equipment. Non-factory modifications to the equipment can reduce the safety for the operator and livestock.

## **RISK ASSESSMENT**

Conduct a risk assessment on procedures for which the cattle crush used and establish a safe work procedure.

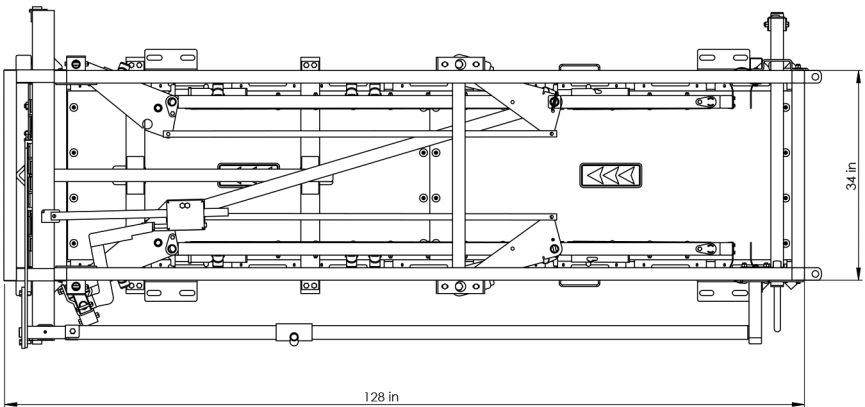
1. Ensure all users of the equipment have been inducted and comply with safe working procedure.
2. Please ensure that there are NO large or hazardous objects inside the crush that may cause injury to the animal or operator, or may cause the equipment to malfunction.
3. Make sure that your crush has been cleared of ALL livestock after use.



# OPERATING THE HEAD GATE

## REMEMBER SAFETY WHEN OPERATING THE HEAD GATE

1. Ensure all gates and the head gate are closed before the animal enters the crush.
2. Open tail gate for the animal to enter the cattle crush enclosure.
3. Close tail gate.
4. Open head gate slightly more than the neck size of the animal to tempt the animal to stick its head through the head gate. When neck of animal is in the correct position, quickly close the head gate securely on the animal's neck.
5. If required, side squeeze animal and engage head restraint to restrain further movement.
6. If the animal applies excessive pulling pressure on head gate, it is recommended to use the anti-backing bar behind cattle rump.
7. Confirm animal is securely held before carrying out any husbandry work.



## RECOMMENDED MAINTENANCE

Arrowquip cattle crushes are made with precision parts and require little maintenance as a result. However, regular maintenance is required to keep your crush running smoothly and safely.

1. Keep grease nipple on main control handle greased.
2. Lubricate slam latches, lube bolts, door hinges regularly with WD-40. Recommended every six months, minimum.
3. Clean bottom head gate door track to prevent dirt build-up.
4. Check mechanism pivot bolts for wear and lubricate or replace, as necessary.
5. Clean and lubricate main locking shaft doors regularly.
6. Inspect for signs of mechanical damage regularly, specifically to gate latches and striker plates, and ensure gates are locking securely.

## WARRANTY

**Your product must be registered to claim warranty**, and to ensure that Arrowquip has the required information to contact you in the event of a product or part recall. If the owner of the equipment fails to register the product with Arrowquip, they are considered to have voluntarily voided the warranty.

**NOTE:** Any modification, in any fashion, to any Arrowquip equipment immediately voids the product warranty. This includes the parts contained therein.

E.g. If a modification is made to the squeeze mechanism in a squeeze crush, and the sternum bar is bent afterwards, warranty for the damaged part, the sternum bar, contained in the modified equipment, the squeeze crush, is void. In addition, any remaining warranty for the squeeze crush and other parts contained therein, including, but not limited to, the head bail, locking system, Q-Catch system, and rollers, is null and void.



**REGISTER FOR WARRANTY NOW:**

**ONLINE:** [arrowquip.co.uk](http://arrowquip.co.uk)

**PHONE:** +44 (0) 1530 632002 | **EMAIL:** [sales@arrowquip.com](mailto:sales@arrowquip.com)

## **TROUBLESHOOTING GUIDE**

If you have a problem with your Q-Catch 86 Series cattle crush, please consider the following tips or call us at +44 (0) 1530 632002.

1. Make sure the head gate and crush are situated on level ground or base.
2. If head gate has minimal use over extended periods, this may cause head gate doors to become stiff to operate and/or difficult to release. This can be easily fixed by lubrication of the rollers and the Q-Catch track shaft with WD-40.

Lubricate Q-Catch track shaft by spraying directly with a few shots of WD-40. You will need to do this while head gate doors are closed, and again with the doors open to ensure that the entire shaft is properly lubricated. Additionally, it is recommended that you spray lubricant directly onto each of the four Q-Catch rollers on both head gate doors, and open and close the head gate a few times to work the lubricant in.

3. Make sure head gate door tracks are free of debris.
4. Keep floors clean. Excess build-up of manure or dirt inside crush can cause the squeeze and head gate to malfunction.
5. Check for wear of the Q-Catch track shaft. Severe wear may cause friction lock to malfunction.
6. Ensure bolts on the head gate are tightened correctly.
  - a. Too tight will cause the locking and releasing of head gate doors to malfunction.
  - b. Too loose will cause premature wear on head gate parts.

- c. On the head gate, there is a short hammer and a long hammer between the handle pivot and doors. These two hammers have a slot in them – check that there is free movement for the bolt to move the entire length of this slot, and the lock nuts are correctly tightened.
  - d. The door hammers also contact the release pins on the lock plates when the head gate handle is pulled back. Ensure there is an air gap between levers and release pins when head gate is being pushed or in an idle position.
7. Check nuts and bolts on items and ensure that they are tightened correctly.

## **Q-CATCH 86 SERIES OPTIONS**

### **Q-CATCH HEAD HOLDER**

#### ***INSTALLATION:***

1. Rest head holder on the bottom 1.5" spacer on working side of head gate.
2. Install .5" x 3.5" bolts through face of head holder and install large washers on back of head gate doors, then tighten bolts.

#### ***SAFETY PRECAUTIONS:***

1. Ensure that the head holder remains open until required to hold the animal's head.

### **CRUSH TRAILER**

Refer to Crush Trailer manual.

### **STERNUM BAR**

#### ***INSTALLATION:***

1. Insert long sternum bar tube into rear bracket on floor of crush.
2. Insert short sternum bar support into long sternum bar tube receiver, and insert bottom shoe plate into front bracket on the floor of crush.
3. Tighten all jam bolts.

#### ***SAFETY PRECAUTIONS:***

1. Please ensure that the Sternum Bar is installed correctly before running cattle through the crush.





**ARROWQUIP**

+44 (0) 1530 632002 | [cs@arrowquip.com](mailto:cs@arrowquip.com) | [arrowquip.co.uk](http://arrowquip.co.uk)

Printed in Canada.