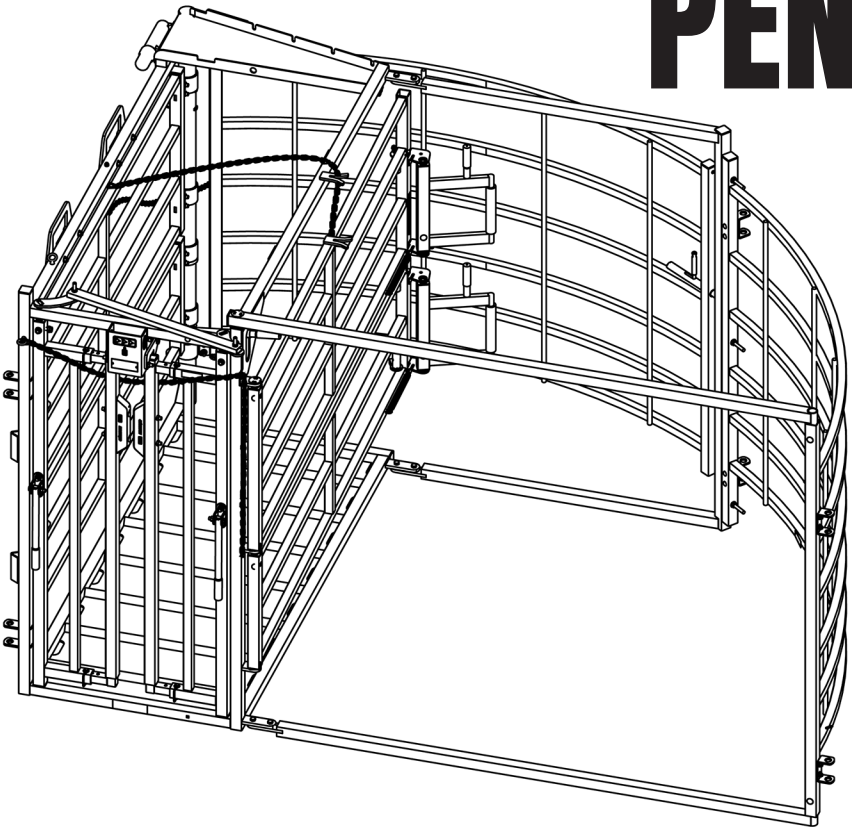




ARROWQUIP

PRODUCT MANUAL

CALVING PEN



AUGUST 2022

1-877-275-6075 | cs@arrowquip.com
arrowquip.com

CONTENTS

Safety Precautions	1
Safety Guarantee	1
Risk Assessment	2
Assembling the Calving Pen	3
Operation Instructions	
Securing the Animal with the Sweep Gate	7
Releasing the Head Gate	7
Warranty	8

PLEASE FOLLOW ALL SAFETY INSTRUCTIONS PROVIDED IN THIS MANUAL BEFORE OPERATION. ARROWQUIP DOES NOT ACCEPT RESPONSIBILITY FOR ANY ACCIDENTS OR INJURY WHEN THIS SAFETY MANUAL HAS NOT BEEN READ IN FULL AND KEPT WITH THE PRODUCT AT ALL TIMES. OPERATORS OF THIS PRODUCT TAKE AND ACCEPT RESPONSIBILITY FOR ANY HARM OR INJURY TO THE ANIMAL OR OPERATOR WHEN IT PERTAINS TO HOW THE EQUIPMENT IS USED AND MAINTAINED.

Please keep this manual for frequent reference and to pass on to new users or owners.

SAFETY PRECAUTIONS

PLEASE FOLLOW ALL SAFETY PRECAUTIONS OUTLINED HEREIN. ANY HARM TO THE ANIMAL OR INJURY TO THE OPERATOR WHICH OCCURS DUE TO HOW THE PRODUCT IS OPERATED, OR RESULTING FROM A LACK OF SAFETY PRECAUTIONS ARE THE SOLE RESPONSIBILITY OF THE OPERATOR.

All farm machinery and equipment is potentially dangerous. Careless use of any Arrowquip livestock equipment may cause injury or damage to persons, cattle, or property. Arrowquip has taken precautions in the design and manufacturing of this product to ensure that it is safe and user-friendly. Therefore, user must assume all responsibility and risk associated with the possession and use of the equipment.

SAFETY GUARANTEE

Arrowquip is committed to creating safe cattle management experiences. With this commitment to safety, in the event any purchaser of Arrowquip equipment is physically injured while operating the equipment AND requires medical treatment, Arrowquip will provide a full refund of the equipment purchase price and the purchaser will be allowed to keep the equipment. Equipment must be warranty-registered, and the purchaser must read and practice the contents and recommended maintenance and procedures outlined herein to be eligible.

Arrowquip also commits to repair or replace any part of the equipment that is defective, malfunctions or otherwise falls under normal use and inside the equipment's warranty terms. If the equipment requires replacement, it shall be replaced with an identical model or a newer model of the equipment. For further details, visit arrowquip.com/promise.



WARNING: READ FOLLOWING PAGE BEFORE OPERATION

1. Ensure the operator understands the contents of this manual before using the equipment.
2. **DO NOT** wear loose-fitted clothing.
3. Ensure the equipment is on a firm, level, dry surface that is free of rocks and other trip hazards.
4. **DO NOT ALLOW CHILDREN UNDER THE AGE OF 18 NEAR AN OPERATING MACHINE.**
5. Follow safe cattle handling procedures in other areas of the yard so that cattle are more docile.
6. **DO NOT** make any modifications to Arrowquip equipment. Non-factory modifications to the equipment can reduce the safety for the operator and livestock.

RISK ASSESSMENT

Conduct a risk assessment on procedures for which the equipment is used and establish a safe work procedure.

1. Ensure all users of the equipment have been inducted and comply with safe working procedure.
2. Please ensure that there are NO large or hazardous objects inside the equipment that may cause injury to the animal or operator, or may cause the equipment to malfunction.
3. Make sure that your equipment has been cleared of ALL livestock after use.
4. Some chemicals and medicines can damage powder coat. Take all precautions and wash after use.

BEFORE INSTALLING



HEAVY
Partner Lift



Forklift Required

TOOLS

- 3/4" Wrench
- Alignment Bar

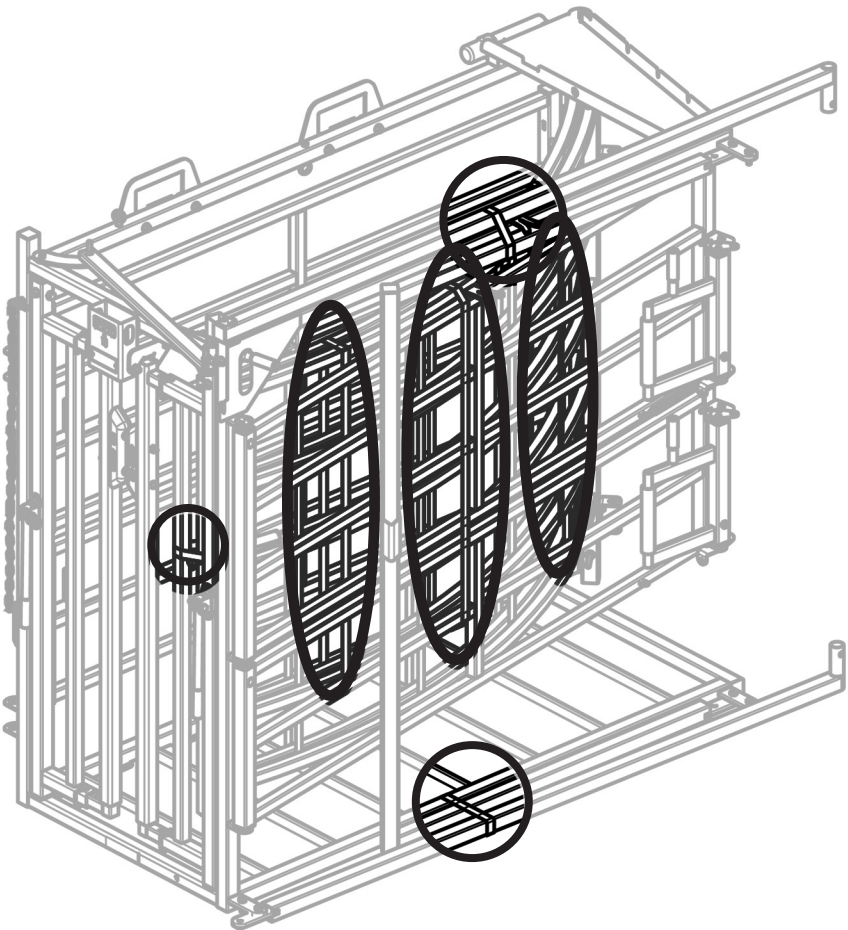
ASSEMBLY INSTRUCTIONS

ASSEMBLING THE CALVING PEN

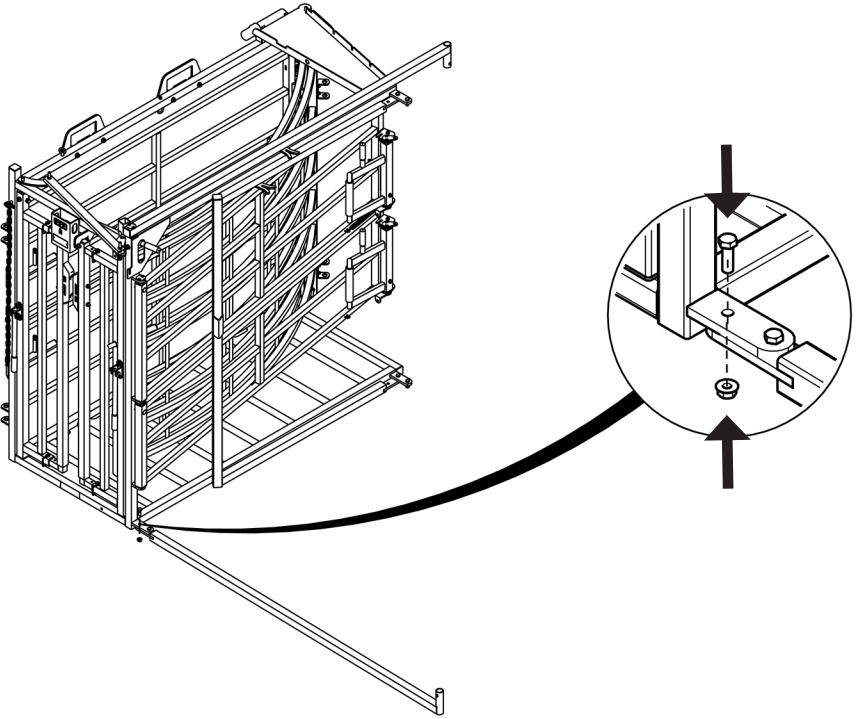
- 1 Remove shipping straps and discard. Set aside all loose parts. (Top Joiner Bar, Bottom Joiner Bar, Side Panel, Side Post)



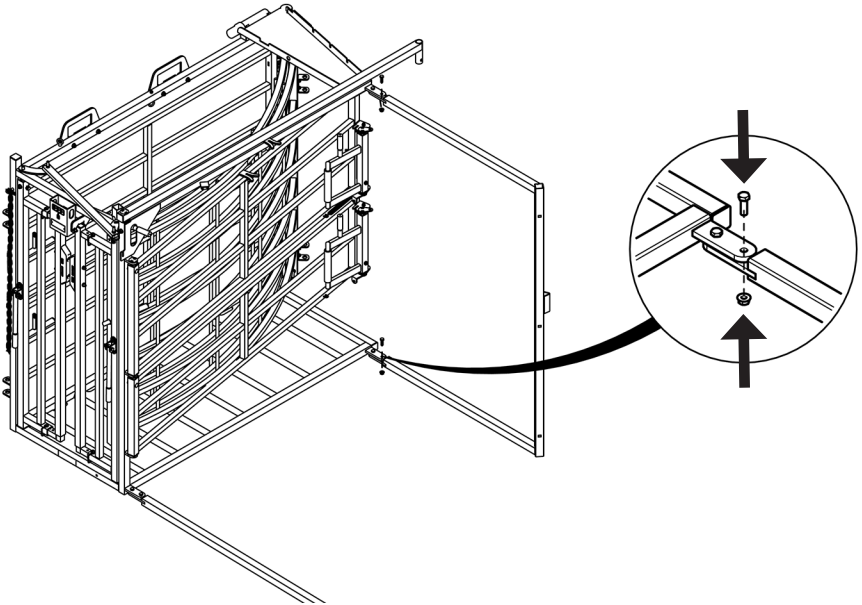
WARNING: PARTS ARE HEAVY AND WILL SHIFT WHEN STRAPS ARE RELEASED.



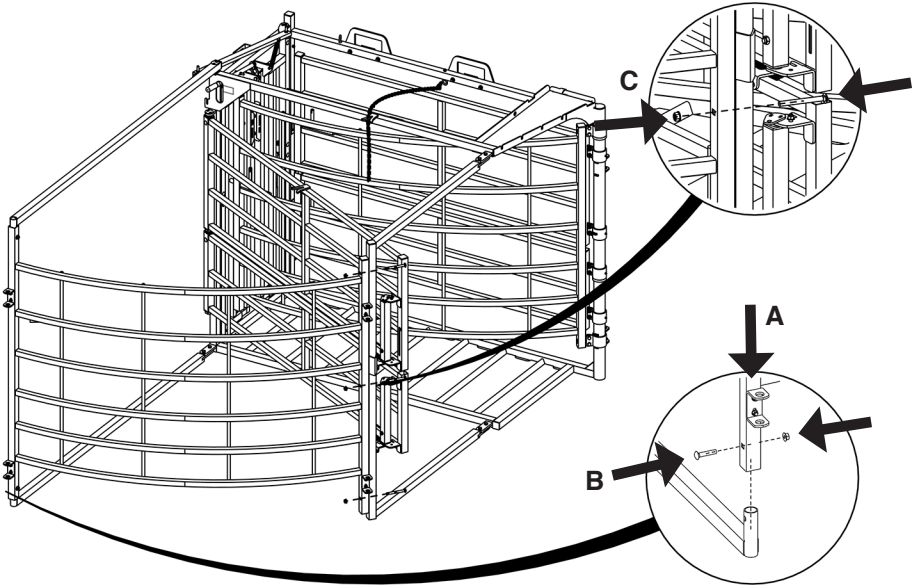
2 Lift the frame and install the bottom joiner bar.



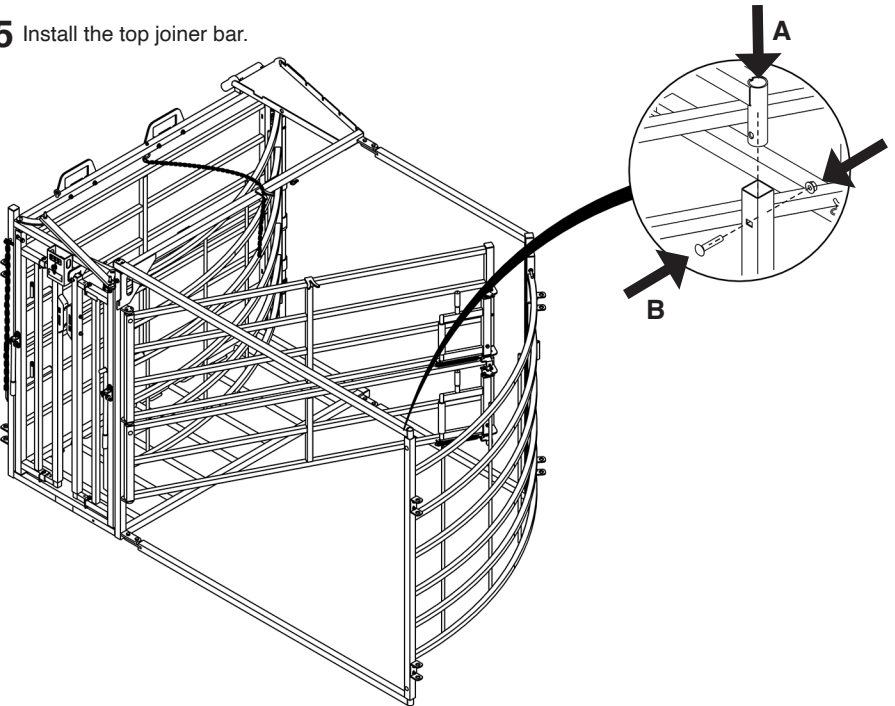
3 Remove bolts and install side post. Secure with the same bolts.



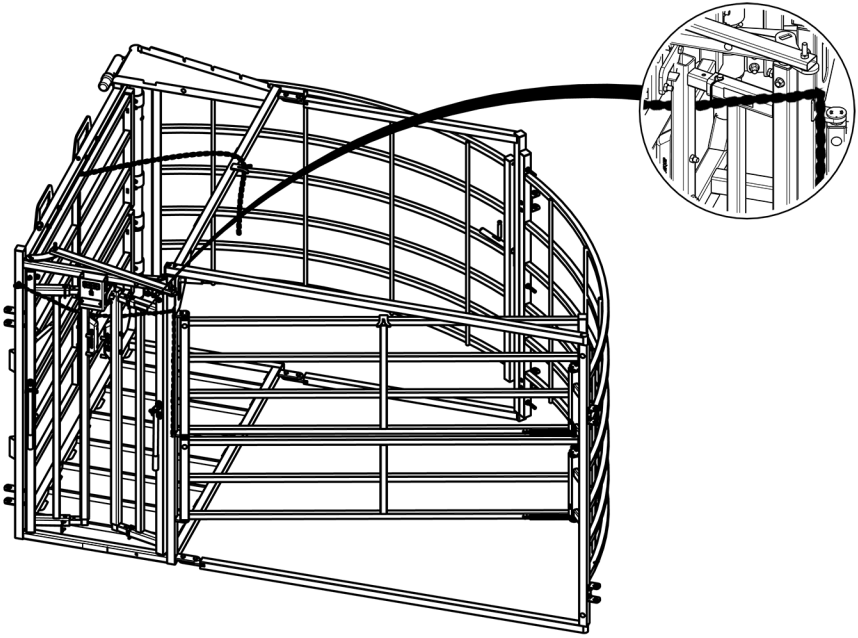
4 Install the side panel to the bottom joiner bar. Bolt the side panel to the side post.



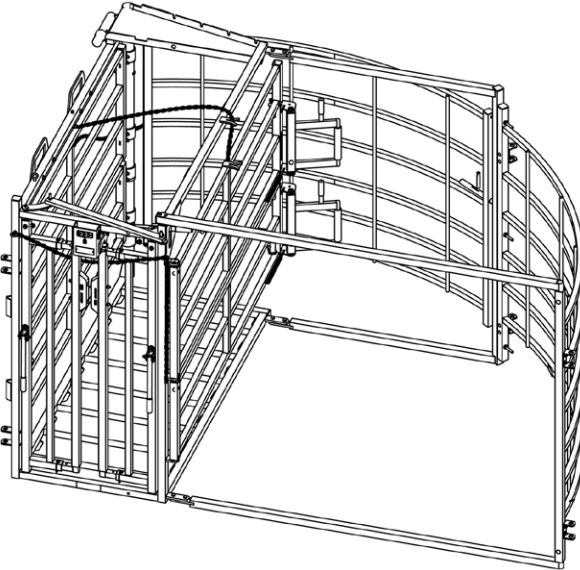
5 Install the top joiner bar.



6 Adjust the limiter chain according to the animal's size to set the width of self-catch head



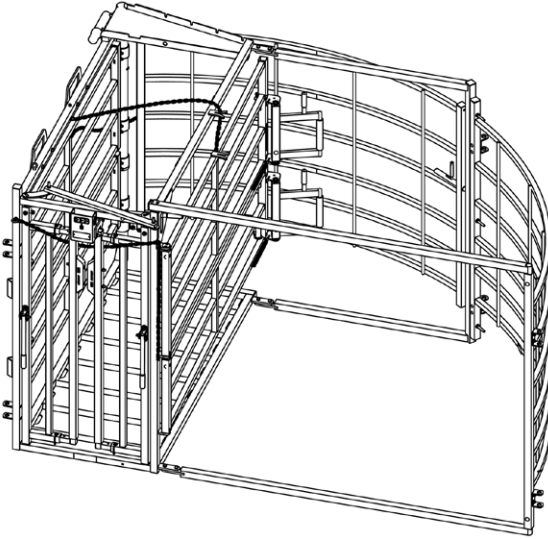
READY FOR USE



OPERATION INSTRUCTIONS

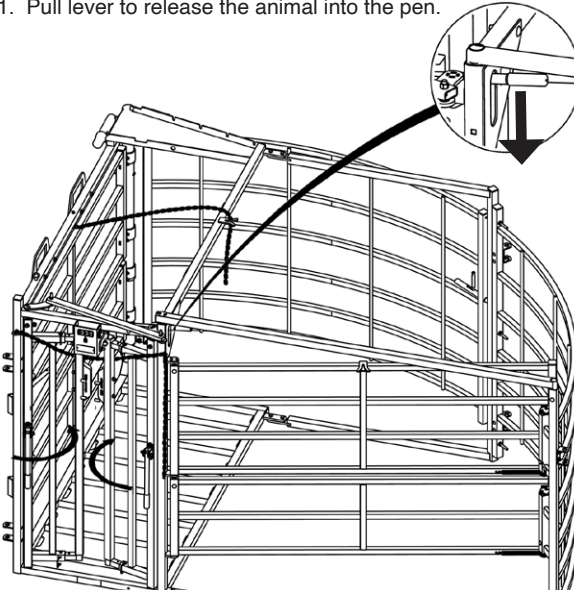
SECURING AN ANIMAL WITH THE SWEEP GATE

1. With an animal in the head gate, hook the middle chain on the sweep gate.
2. Adjust the length of the chain to your desired squeeze width.



RELEASING THE HEAD GATE

1. Pull lever to release the animal into the pen.



WARRANTY

Your product must be registered to claim warranty, and to ensure that Arrowquip has the required information to contact you in the event of a product or part recall. Any owner who fails to register their product warranty with Arrowquip through their Authorized Arrowquip Dealer voluntarily voids their warranty. Arrowquip will repair or replace products or parts of a product that prove defective due to manufacturer defect during the Warranty Period, at their sole discretion. This excludes defects resulting from normal wear and tear or product misuse. Warranty does not cover corrosion. NOTE: Any modification, in any fashion, to any Arrowquip equipment immediately voids the product warranty. This includes the parts contained therein.

E.g. If a modification is made to the squeeze mechanism in a squeeze chute, and the sternum bar is bent afterwards, warranty for the damaged part, the sternum bar, contained in the modified equipment, the squeeze chute, is void. In addition, any remaining warranty for the squeeze chute and other parts contained therein, including, but not limited to, the head gate, locking system, Q-Catch system, and rollers, is null and void.

REGISTER FOR WARRANTY NOW:

Online: arrowquip.com/product-registration

Phone: 1-877-275-6075 | **Email:** cs@arrowquip.com



ARROWQUIP

If you have any questions regarding your product or require assistance, please contact Arrowquip's Client Care Team at 1-877-275-6075 or by email at cs@arrowquip.com.